

Determining Appropriate Buses and Networks for Applying Demand Side Management Programs by Structural Analysis of EENS

B. Adineh*, H. Rajabi Mashhadi**^(C.A.) and M. E. Hajiabadi***

Abstract: The main goal of this paper is to structurally analyze impact of DSM programs on reliability indices. A new approach is presented to structurally decompose reliability index Expected Energy Not Supplied (EENS) by using Monte Carlo simulation. EENS is decomposed into two terms. The first term indicates EENS which is caused by generation contingencies. The second term indicates EENS which is caused by transmission and generation contingencies. The proposed approach can be used to indicate appropriate buses for applying DSM. Furthermore, networks are studied at two levels; HLI and HLII. Studies show that in some networks reliability indices are affected mostly at the HLI level. While in some other networks, reliability indices are influenced mostly at the HLII level. It means that in these networks, reliability indices are affected by transmission contingencies. Then, it is shown that the implementation of load shifting is effective in some networks and buses. These are the ones which their EENS is more influenced by generation contingencies. However; it is not effective in the ones which their EENS is more influenced by transmission contingencies. The simulation results on the IEEE-RTS and Khorasan network show the efficiency of the proposed approach.

Keywords: Demand Side Management (DSM), Expected Energy Not Supplied (EENS), Monte Carlo Simulation, Reliability.

1 Introduction

1.1 Motivation

Demand Side Management (DSM) is an efficient tool to reduce peak demand. Utilities can use DSM (see Appendix) to delay the construction of new generation resources. In fact, by reducing peak demand, DSM will have different effects such as: reducing the number of outages, improving system reliability, reducing energy costs and decreasing the harmful activities for the environment [1-2]. In general, DSM plays a significant role in operation and planning of generation, distribution and transmission systems. DSM applied to power system has a wide range of economic,

environmental and reliability advantages [3-4]. Therefore, various studies have been carried out on the impact of DSM programs on generation, distribution and transmission systems [5-6]. Moreover, it is important to study the implication of DSM programs in power system reliability [7].

The planning stage of implementing DSM programs is very important in the power system. Therefore, the power system planners should consider applying several items to DSM programs and use their benefits. The fundamental challenges which power system planners should consider in planning DSM programs include:

1- What kind of DSM programs the planner will apply to the power system.

2- When the planner uses the appropriate DSM programs?

3- What type of consumer is the target group of the planner to offer DSM programs?

4- Where the planner wants to apply DSM programs.

Therefore, the planners should study the effect of DSM programs on the power system and then apply these programs. To study the effect of these programs, reliability indices of power system are investigated by applying DSM programs.

Iranian Journal of Electrical & Electronic Engineering, 2014.

Paper first received 11 Aug. 2013 and in revised form 23 Nov. 2013.

* The Author is with the Department of Electrical Engineering, Ferdowsi University of Mashhad, Mashhad, Iran.
E-mail: behrooz.adineh@gmail.com.

** The Author is with the Department of Electrical Engineering at Ferdowsi University of Mashhad and the Center of Excellence on Soft Computing and Intelligent Information Processing, Ferdowsi University of Mashhad, Mashhad, Iran.
E-mail: h_mashhadi@um.ac.ir.

*** The Author is with the Department of Electrical and Computer Engineering, Hakim Sabzevari University, Sabzevar, Iran.
E-mail: me.hajiabadi@hsu.ac.ir.

Studies show that the reliability indices are not improved by applying DSM programs over all the network buses. Therefore, the network buses should be prioritized to apply DSM programs.

1.2 Literature Review

In order to represent the effect of DSM programs on power system, reliability indices are studied [8-9]. System reliability indices (LOLE & LOEE) increase significantly with increasing load forecast uncertainty. The application of demand side management tends to counteract the effects of load forecast uncertainty and therefore, reduce the inherent increase in the system reliability indices due to the load forecast uncertainty [9]. Reference [7] shows that the benefits of DSM on different load sectors will be varied. It can be seen that the DSM measures affect system loads and reliability indices differently when applying DSM on system load, bus loads, and all load sectors. It is easier to apply DSM directly to system load or bus loads in generating capacity adequacy assessment compared to applying DSM on individual load sectors. It is, however, more accurate to apply DSM to the individual load sectors [7]. References [2, 10] and [6] show the effect of DSM on system reliability. These studies are mainly based on the total load profile that does not include the load sectors. In reference [2] an approach is presented to estimate the impacts of DSM programs on composite system reliability in Monte Carlo simulation approach. The results show that DSM programs have obvious contribution to composite system reliability improvement. Reference [10] illustrates how the optimal planning reserve margin can vary with the introduction of DSM. The DSM programs illustrated in [6] can improve system reliability by modifying the load model. The system and load point indices decrease when effective DSM programs are applied and the system becomes more reliable and secure. References [11] and [12] show the impact of DSM programs on the power system reliability indices, when they are applied to the residential sector. However, despite the presented studies on DSM, no structurally analysis for evaluating the impact of DSM programs on reliability indices can be found in the literature.

1.3 Approach and Contributions

The main goal of this paper is to structurally analyze the impact of DSM programs on the reliability indices of the power system. As shown in Fig. 1, In order to achieve this goal, a novel three step modeling is presented.

At the first step, the reliability indices of networks are calculated before applying DSM programs at HLI and HLII levels. Studies show that in some networks, the reliability indices are influenced mostly at the HLI level. While in some other networks, the reliability indices are affected mainly at the HLII level. It means that in these networks, the reliability indices are

influenced by transmission and generation contingencies.

At the second step, a new approach is presented to structurally decompose the reliability index Expected Energy Not Supplied (EENS) by using Monte Carlo simulation. In Monte Carlo simulation, states are divided into two parts. Then EENS is decomposed into two terms. The first term indicates the amount of EENS which is caused by the generation contingencies. The second term indicates the amount of EENS which is affected by transmission and generation contingencies. Therefore, the proposed approach can be used to structurally analyze the reliability index of each bus and determine how much EENS of each bus is caused by the generation contingencies or transmission and generation contingencies.

At the third step, first due to the concept of Load Shifting (LS), which is used in this paper as one of the DSM programs and its impact on Load Duration Curve (LDC), it is shown that the application of load shifting is effective in the reliability indices of some networks and buses. These are the ones which their reliability index EENS is more influenced by the generation contingencies. However; it is not effective in the ones which their EENS is more influenced by transmission and generation contingencies. Therefore, the proposed approach can be used to indicate the appropriate buses and networks for applying DSM programs. Then, load shifting program is applied to the buses of IEEE 24-bus Reliability Test System (IEEE-RTS) and Khorasan 400 KV network. The simulation results on these networks show the efficiency of the proposed approach to indicate the appropriate buses and networks for applying DSM programs.

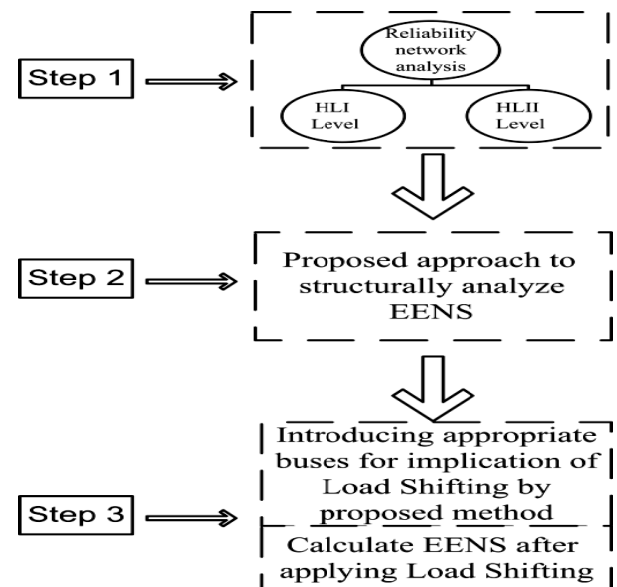


Fig. 1 The proposed model.

1.4 Paper Organization

The rest of this paper is organized as follows: Section 2 includes problem formulation. Section 3 introduces the proposed EENS decomposition approach and the new Monte Carlo flowchart which is presented to calculate reliability indices. The impact of load shifting on reliability index EENS is evaluated from two points of view in section 4. Section 5 includes the simulation results of IEEE-RTS and Khorasan 400 kV network after and before applying DSM programs. Finally, the paper is summarized and concluded in section 6.

2 Problem Formulation

2.1 Demand Side Management Programs and Their Impact on Load Duration Curve

Utilities are one of the main executors of DSM programs. The consumers can benefit from these programs; they also can manage and implement these programs. The sectors with independent activities such as private buildings and industrial constructions are really interested in DSM programs, in order to reduce their energy consumption and energy costs by implementing them. Moreover, they may help utilities in providing energy more efficiently.

DSM, in general, refers to any program adopted by utilities that changes the utilities' Load Duration Curve. These changes include: Peak Clipping, Valley Filling, Load Shifting, Strategic Load Growth, Strategic Conservation and Flexible Load Shape, and each of these changes will have many benefits for the utilities and the consumers [13-14].

In this paper, Eq. (1) is used to study the effect of load shifting program on LDC ([4, 6, 7, 9, 10]). This equation is for 24 hours load and it studies the changes of load curve during 24 hours. P is the preferred peak demand of the system that results from the implementation of load shifting. Any load above P is reduced and shifted to off-peak hours. The amount of energy shifted to off-peak hours depends on the value of α in Eq. (1). The variable p is the first time during the day when the original load is greater than the P ($L(t) > P$). The variable q is the last time during the day when the original load is greater than P . The starting time for off-peak recovery of energy is presented by t_1 and the ending time for off-peak recovery of energy is presented by t_2 . The difference between t_1 and t_2 defined as h is the amount of time which energy will be recovered. The range for α is $0 \leq \alpha \leq 1$ and depends on the amount of recovered energy required during off-peak hours (see Eq. (1)).

In this paper, on-peak and off-peak hours are considered as the preferred peak demand of the system and the valley load values, respectively. The energy reduced during a day shifted to the off-peak hours. Therefore, daily load curve and LDC of each bus and network will be modified.

$$\hat{L}(t) = L(t) - \{(L(t) - P)\Omega(L(t))\} + \alpha \left\{ \frac{\sum_{T=p}^q \{(L(T) - P)\}}{h} \right\} \lambda(t_1, t_2)(t) \quad (1)$$

$$\Omega(L(t)) = 1 \quad \text{for } L(t) > P$$

$$\Omega(L(t)) = 0 \quad \text{for } L(t) \leq P$$

$$\lambda(t_1, t_2)(t) = 1 \quad \text{for } t_1 \leq t \leq t_2$$

$$\lambda(t_1, t_2)(t) = 0 \quad \text{for other values of } t$$

2.2 Power System Reliability Assessment

Many indices and methods to assess the reliability of power system have been already studied. Monte Carlo simulation is usually used to assess power system reliability at HLII level. Considering generation and transmission contingencies, different configuration of the system can be occurred in Monte Carlo simulation. In this paper, in order to evaluate the reliability of power system at HLII level, the reliability index EENS is calculated for all the buses. This index shows the expected energy that is not supplied by the power system in a specified time period, usually manually [15].

To evaluate EENS corresponding to each bus, it is necessary to determine the maximum amount of load that can be supplied at i^{th} configuration of the network P_n^{i*} . Considering a specific configuration of the network, the following optimization problem should be solved to compute P_n^{i*} . The optimization problem includes; power flow limits, power balance at each bus, generation and transmission constraints.

$$\begin{aligned} \text{Min} \quad & - \sum_{n=1}^N \text{IEAR} \times P_n^i \\ \text{such that:} \quad & \sum P_g^i - P_n^i - \sum f_l^i = 0 \quad \text{for } n=1, \dots, N \\ & f_l^i - \gamma_l (\theta_i - \theta_j) = 0 \quad \text{for } l=1, \dots, L \\ & |f_l^i| \leq \text{Max}(f_l^i) \\ & 0 \leq P_g^i \quad \text{for } g=1, \dots, G \end{aligned} \quad (2)$$

By solving the above linear programming problem, maximum value of P_n^i can be computed, considering the Interrupted Energy Assessment Rate (IEAR). The first constraint is power balance at each bus. The second constraint demonstrates DC load flow. The third, the fourth and the fifth constraints are maximum transmission line capacities, maximum generation of generators and maximum bus load, respectively. In this equation N is the number of network buses, G is the number of generators and L is the number of lines.

3 Structural Analysis of EENS

In this paper, Monte Carlo Simulation refers to draw random samples of system states. Reliability index

$EENS$ is then calculated by these samples. An extension and improvement of the conventional Monte Carlo Simulation for assessing reliability performance of power system is presented.

3.1 An Extension and Improvement of Monte Carlo Simulation

In this section, the proposed Monte Carlo Simulation flowchart is introduced to calculate $EENS$. The reliability index $EENS$ can be calculated by using Monte Carlo Simulation and Load Duration Curve. Fig. 2 shows the new proposed Monte Carlo simulation flowchart. The physical components of system (lines and generators) are identified and their parameters and characteristics are collected. Then, a random generator is used to assign random variables to the physical components of system. When a new configuration is recognized in Monte Carlo simulation, the number of islands in the network is determined and a slack bus to each island is determined. The results of each configuration will be saved and if that configuration occurs again in Monte Carlo simulation, the previous results will be used. One of the advantages of presented flowchart is its high speed.

The main advantage of proposed flowchart is that the number of states and the number of repetition of each state are determined. Therefore, the probability of each state and the load flow results of each state are calculated at the end of the program.

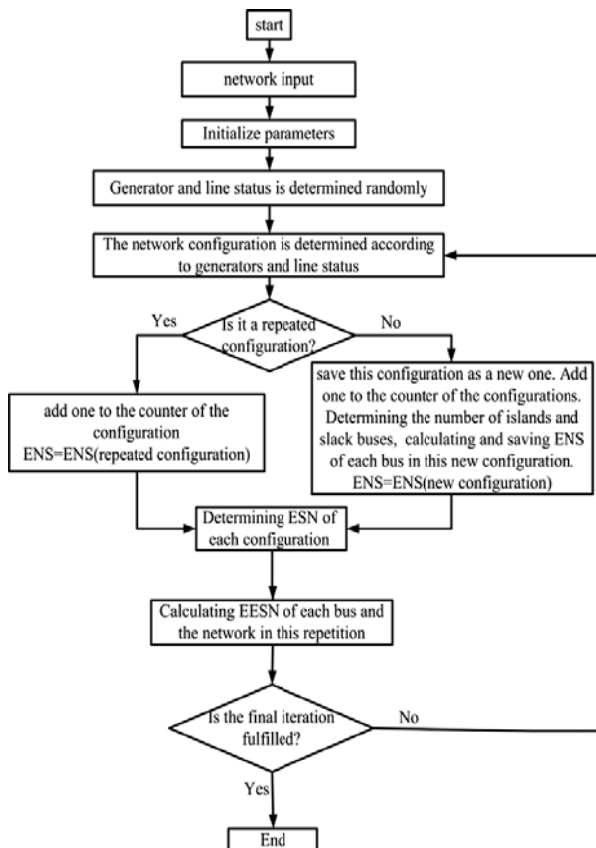


Fig. 2 flowchart to calculate reliability indices.

3.2 EENS Decomposition

As shown in Fig. 3, the amount of energy between P_n^{i*} and P_{MD} is not supplied by the specific bus n with maximum power demand, which P_{MD} is expected to supply by the system. The energy not supplied will be calculated in each configuration of each bus with respect to these P_n^{i*} .

As shown in Fig. 4, the states in Monte Carlo simulation can be divided into two parts. The horizontal and vertical axes are corresponding to the states and the network buses in Monte Carlo simulation, respectively. I and n are the total number of states and the total number of buses, respectively. I to K_I are the total number of states and the total number of buses, respectively.

The first part, which contains I to K_I states in Fig. 4, only illustrates the states caused by generation contingencies. It means only the states, in which all lines are available, are considered. As a result, $EENS$ is caused only by generation contingencies in these states. The second part, which contains K_I+1 to I states, illustrates the states caused by generation and transmission contingencies simultaneously. As a result, $EENS$ is caused by generation and transmission contingencies in these states.

Lemma1 expresses the decomposition of $EENS$ into two terms.

Lemma1. For the specific network topology and the specific bus n , $EENS_n$ is decomposed as follows:

$$EENS_n = EENS_{G,n} + EENS_{T,n} \quad (3)$$

where $EENS_{G,n}$ indicates $EENS_n$ caused by generation contingencies and $EENS_{T,n}$ indicates $EENS_n$ caused by transmission contingencies.

Proof. Eq. (4) shows $EENS$ of the specific network topology with N bus.

$$EENS = \sum_{n=1}^N EENS_n \quad (4)$$

Assuming I states have occurred in Monte Carlo process, $EENS$ of network can be written as:

$$EENS = \sum_{n=1}^N \sum_{i=1}^I Pr_i \times EENS_n \quad (5)$$

where Pr_i is the probability of state i . $EENS_n$ is the Energy Not Supplied of bus n .

To calculate $EENS_n$, the probability of states is determined in Monte Carlo simulation. $EENS$ of each state at each bus is indicated as $EENS_{n,i}$. $EENS_{n,i}$ is calculated by multiplying the probability of state i to the Energy Not Supplied of that state at each bus. Moreover, $EENS_n$ is the summation of $EENS_{n,i}$. Therefore;

$$EENS_n = \sum_{i=1}^I EENS_{n,i} \quad (6)$$

Based on Eq. (6), $EENS$ of each bus can be written as:

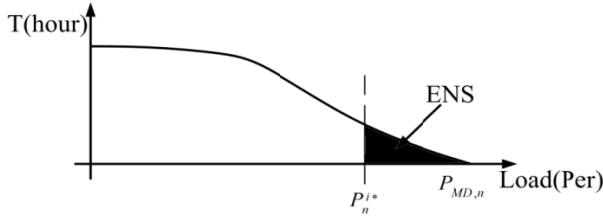


Fig. 3 Calculating ENS corresponding to bus n at configuration i .

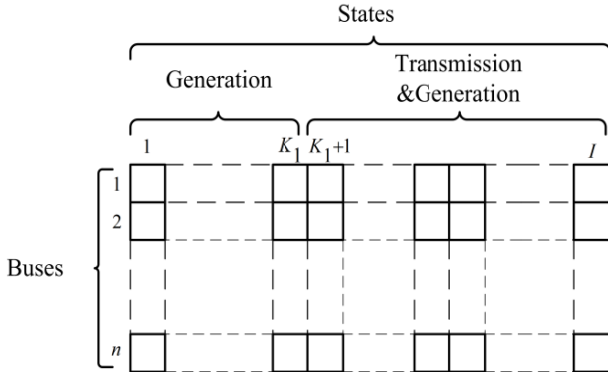


Fig. 4 States divided into two parts in Monte Carlo simulation.

$$EENS_n = \sum_{i=1}^I Pr_i \times ENS_{n,i} \quad (7)$$

where Pr_i is the probability of state i and $ENS_{n,i}$ is the Energy Not Supplied of state i at bus n .

As shown in Fig. 4, states can be divided into two parts. Therefore, $EENS_n$ can be expressed as:

$$EENS_n = \sum_{i=1}^{K_1} (Pr_i \times ENS_{n,i}) + \sum_{i=K_1+1}^I (Pr_i \times ENS_{n,i}) \quad (8)$$

where

$$\begin{cases} EENS_{G,n} = \sum_{i=1}^{K_1} (Pr_i \times ENS_{n,i}) \\ EENS_{T,n} = \sum_{i=K_1+1}^I (Pr_i \times ENS_{n,i}) \end{cases} \quad (9)$$

The first summation indicates the amount of $EENS$ influenced by generation contingencies. The second summation indicates the amount of $EENS$ influenced by generation and transmission contingencies simultaneously. Therefore, $EENS_n$ is decomposed into two terms and Lemma 1 is proved.

4 Impact of DSM on Network Reliability

In this section, the impact of load shifting program on the reliability index $EENS$ is evaluated from two points of view. First, the impact of load shifting on each bus is examined and appropriate buses are presented to apply this program. Then, the impacts of load shifting on the networks are examined and appropriate network is presented to apply this program.

4.1 Impact of DSM on Bus EENS

In this paper, the impact of DSM programs on the LDC will be studied. As shown in Fig. 5, the DSM programs reduce and shift the amount of energy during peak hours to off-peak hours.

It is expected that the reliability index will not be improved on the buses, in which their $EENS_n$ is caused by transmission contingencies. However, in these buses, energy from peak hours is shifted to off-peak hours by the application of load shifting, but energy not supplied is not decreased. It means $ENS_{n,i}$ is not changed by applying load shifting, as shown in Fig. 6. Therefore, $EENS_n$ will not be improved by the application of DSM programs. Also, it is expected that the reliability index will be improved on the buses, in which their $EENS_n$ is caused by generation contingencies. In these buses, energy from peak hours is moved to off-peak hours by the implication of load shifting and energy not supplied is decreased, as shown in Fig. 7. Therefore, $EENS_n$ will be improved by applying of DSM programs.

4.2 Impact of DSM on Network EENS

Studying the impact of DSM programs on reliability indices of network is an effective way to define the appropriate network for applying DSM programs.

In [16], $EENS$ of a transmission system is expressed as the difference between the HLI and HLII reliability indices, as shown in Eq. (10):

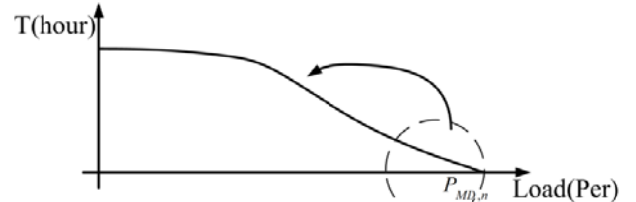


Fig. 5 LDC changes due to applying DSM programs.

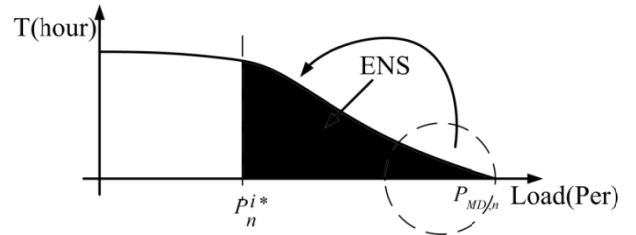


Fig. 6 ENS caused by transmission contingencies.

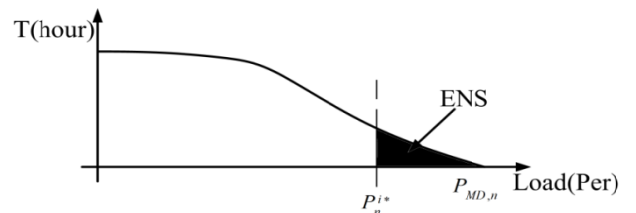


Fig. 7 ENS caused by generation contingencies.

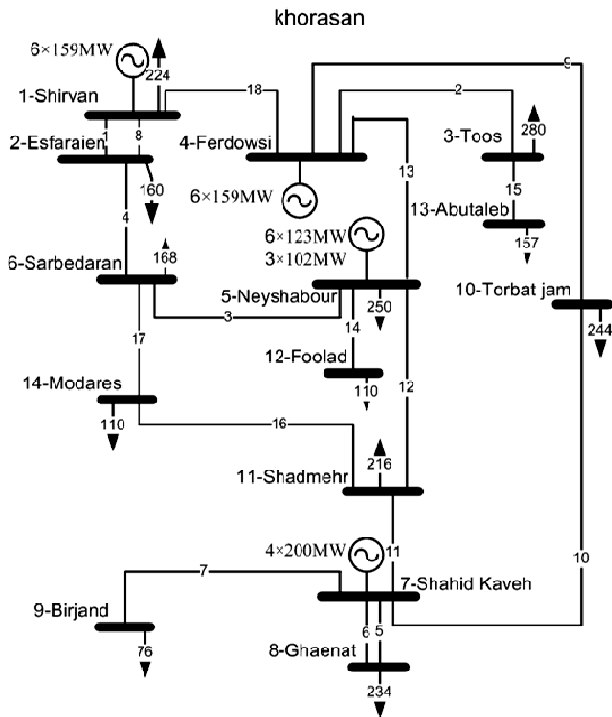


Fig. 8 Khorasan 400 kV network.

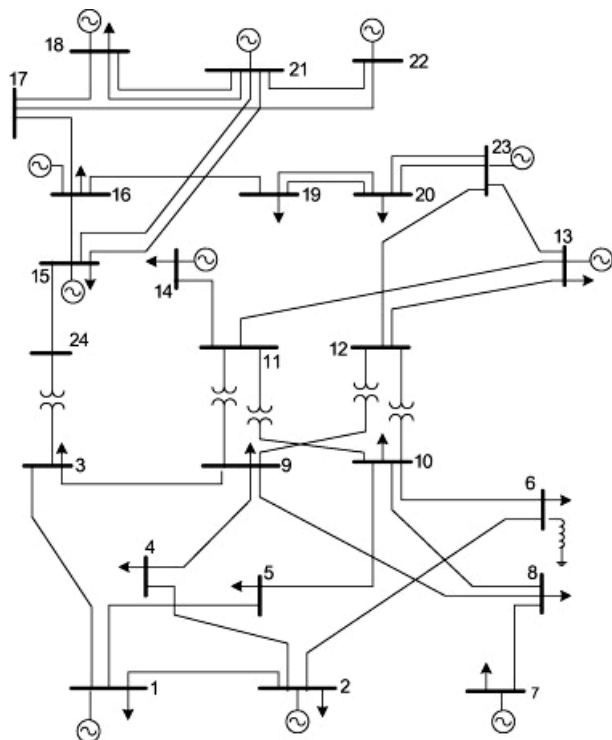


Fig. 9 IEEE Reliability Test System

$$EENS_{Trans} = EENS_{HLII} - EENS_{HLI} \quad (10)$$

Once $EENS_{HLII}$ is much greater than $EENS_{HLI}$, the network has been affected by transmission contingencies. Therefore, it is expected that network reliability will not be improved by applying DSM

programs. On the other hand, once $EENS_{HLII}$ and $EENS_{HLI}$ are close to each other, the network has been affected by generation contingencies. Therefore, network reliability is improved by applying DSM programs.

In the rest of this paper, the impact of applying DSM programs on the IEEE-RTS and Khorasan 400 kV network is studied and appropriate network buses are determined for applying DSM programs.

5 Case Studies: IEEE-RTS Network and 400 kV Khorasan Network

In this section, the impact of applying DSM programs on the IEEE-RTS and Khorasan 400 kV network will be discussed.

According to Fig. 8, in Khorasan 400 kV network, total load is 2229 MW and generation capacity is 3752 MW in 14 buses. The IEEE-RTS network has a total generation capacity of 3450 MW in 24 buses and has a total load of 2850 MW [17], as shown in Fig. 9. These two networks have different LDC and they will be changed by applying load shifting.

5.1 Case Study 1: Studying the Impact of DSM Programs on Both HLI and HLII Levels

In this section, first $EENS$ values are calculated for the IEEE-RTS and Khorasan 400 KV network before applying DSM programs. $EENS$ values at both HLI and HLII levels are shown in Table 1.

According to Eq. (10), $EENS_{trans}$ for the IEEE-RTS and Khorasan network are 16.76 and 2067.6 MWh/yr, respectively, as shown in Table 1. It can be seen that Khorasan network has been affected by transmission contingencies more and IEEE-RTS has been affected by generation contingencies more.

Now, load shifting is implemented on these two networks at HLII. The results of applying load shifting at peak 0.9 p.u. and $\alpha=1$, which means total reduced energy in peak hours has moved to non-peak hours, are shown in Table 2.

As shown in Table 2, total EENS of Khorasan network is improved only 8.1 MWh/yr which means 0.4% improvement on total EENS but total EENS of the IEEE-RTS is improved 568.95 MWh/yr which means about 30% improvement on total EENS. According to Tables 1 and 2, it can be seen that load shifting has significant effect on the network, such as the IEEE-RTS, that has been affected by generation contingencies and it has slight effect on the network, such as Khorasan network, that has been affected by transmission contingencies.

5.2. Case Study 2: Studying the Effect of DSM Programs on Network Buses

In this section the impact of load shifting on each network bus of the IEEE-RTS and Khorasan 400 kV network is studied. Tables 3 and 4 show $EENS_n$ of Khorasan 400 kV network and IEEE-RTS before

applying load shifting, respectively. Buses with zero EENS not mentioned in Tables 3 and 4.

$EENS_{G,n}$ and $EENS_{T,n}$ can be calculated for each bus of Khorasan network and IEEE-RTS by Eq. (3). As shown in Tables 3 and 4, it can be seen that $EENS_{G,n}$ is much more than $EENS_{T,n}$ in IEEE-RTS. Therefore, these buses are affected more by generation contingencies. But $EENS_{T,n}$ is much more than $EENS_{G,n}$ in Khorasan network. Therefore, these buses are affected more by transmission and generation contingencies.

Considering the points given, it is expected that the $EENS_n$ of Khorasan network will not be improved, but the $EENS_n$ of IEEE-RTS will be improved after applying DSM programs. The results of applying LS100 are shown in Tables 5 and 6. The percent improvement

Table 1 EENS of Khorasan and IEEE-RTS networks before applying DSM.

	$EENS_{HLII}$ (MWh/yr)	$EENS_{HLI}$ (MWh/yr)	$EENS_{trans}$
Khorasan Network	2067.6	almost 0	2067.6
IEEE-RTS	1853.26	1836.5	16.76

Table 2 EENS (MWh/yr) of the Khorasan network and IEEE-RTS after and before applying LS100.

	Before Applying LS100	After Applying LS100	Difference
Khorasan Network	2067.6	2059.5	8.1
IEEE-RTS	1853.26	1284.31	568.95

Table 3 EENS (MWh/yr) of Khorasan buses before applying load shifting.

Bus	$EENS_n$	$EENS_{T,n}$	$EENS_{G,n} \times 10^{-7}$
1	3.8×10^{-7}	3.8×10^{-7}	almost 0
2	0.01	0.01	almost 0
3	22.9	22.9	3.5
5	3.9×10^{-7}	3.9×10^{-7}	almost 0
6	0.02	0.02	almost 0
8	0.04	0.04	almost 0
9	1153.23	1153.23	5.6
10	38.2	38.2	3.55
11	0.06	0.06	almost 0
12	189	189	3.91
13	660.04	660.04	3.55
14	4.2	4.2	almost 0
Total	2067.6	2067.6	20.11

Table 4 EENS (MWh/yr) of the IEEE-RTS buses before applying load shifting.

Bus	$EENS_n$	$EENS_{T,n}$	$EENS_{G,n}$
1	1.85×10^{-7}	almost 0	1.8×10^{-7}
2	1.54×10^{-7}	almost 0	1.54×10^{-7}
3	2.41×10^{-7}	almost 0	2.41×10^{-7}
4	0.06	almost 0	0.06
5	0.0586	almost 0	0.0586
6	0.6	almost 0	0.6
7	0.02	almost 0	0.02
8	0.01	almost 0	0.01
9	374.54	10.32	364.22
10	6.1×10^{-5}	almost 0	5.6×10^{-5}
13	2.6×10^{-7}	almost 0	2.6×10^{-7}
14	4.2	0.36	3.84
15	103.89	2.94	100.95
16	0.286	0.0276	0.01
18	0.014	0.0137	0.0003
19	1370.63	37.31	1333.32
Total	1853.26	50.93	1802.33

of $EENS_n$, $EENS_{T,n}$ and $EENS_{G,n}$ are expressed in these tables. As shown in Table 5, the $EENS_n$ of Khorasan has been improved slightly and as shown in Table 6, the $EENS_n$ of IEEE-RTS has been improved a lot after applying DSM programs. Therefore, the buses, in which their $EENS_{G,n}$ are much more than $EENS_{T,n}$, are appropriate to apply DSM programs. On the other hand, applying DSM programs on the buses, in which their $EENS_{G,n}$ are much less than $EENS_{T,n}$, are not effective to improve $EENS_n$.

Table 5 EENS (MWh/yr) of the Khorasan buses before applying load shifting.

Bus	After Applying DSM Programs			Percent Improvement (%)		
	n^1	T,n^2	$G,n^3 \times 10^{-7}$	n	T,n	G,n
3	22.9	22.9	1.69	0	almost 0	0
9	1153	1153	2.06	0		1
10	37.6	37.6	1.65	1.5		1
12	188	188	1.53	0.5		1
13	658	658	1.68	0.3		1
Total	2059	2059	8.61	0.4		1

Table 6 EENS (MWh/yr) of the IEEE-RTS buses before applying load shifting.

Bus	After Applying DSM programs			Percent Improvement (%)		
	N	G,n	T,n	n	T,n	G,n
9	253.8	245.7	8.04	32.2	1.9	98.1
14	2.32	2.1	0.22	44.7	7.4	92.6
15	65.43	63.54	1.89	37	2.7	97.2
19	962.74	936.37	26.3	29.7	2.6	97.3
Total	1284.3	1247.7	36.5	30.7	2.5	97.4

¹EENS_n, ²EENS_{T,n}, ³EENS_{G,n}

In the rest of this paper, only the network buses which have the most impact on the EENS of IEEE-RTS and Khorasan network are prioritized for applying DSM programs. In other words, the buses which have the least impact on EENS of networks are not considered.

As a result, the buses, which are appropriate to apply DSM programs, can be determined before applying these programs. Furthermore, the buses can be prioritized to apply DSM programs. Some buses have priority on the other buses. These are the ones which have more EENS_{G,n} and their EENS is affected more by generation contingencies. Therefore, the buses can be prioritized as: 19, 9, 15 and 14 in the IEEE-RTS to apply DSM programs.

6 Conclusion

It is very important for the power system planners to know where the DSM programs can be applied in the system. Therefore, the planners should study the effect of DSM programs on the power system and then apply these programs. To study the effect of these programs, reliability indices of power system are investigated by applying DSM programs.

Studies show that reliability indices are not improved by applying DSM programs over all the network buses. Therefore, the network buses should be prioritized to apply DSM programs.

In this paper, the appropriate network buses and appropriate networks to apply Demand Side Management programs are determined by investigating the impact of DSM programs on reliability index EENS. In order to achieve this goal, at the first step, networks are studied before applying DSM programs at two levels; HLI and HLII. Studies show that in some networks reliability indices are affected mostly at the HLI level. While in some other networks, reliability indices are influenced mostly at the HLII level. It means that in these networks, reliability indices are affected by transmission contingencies.

At the second step, a new approach is presented to structurally decompose reliability index EENS by using Monte Carlo simulation. EENS is decomposed into two

terms. The first term indicates EENS which is caused by generation contingencies. The second term indicates EENS which is caused by transmission contingencies. Therefore, the proposed approach can be used to structurally analyze the reliability index of each bus and determine how much of EENS of each bus is caused by generation or transmission contingencies.

At the third step, first due to the concept of load shifting which is used in this paper as one of the DSM programs, and its impact on the Load Duration Curve, it is shown that the application of load shifting is effective in some networks and buses. These are the ones which their reliability index EENS is more influenced by generation contingencies. However; it is not effective in the ones which their EENS is more influenced by transmission contingencies. Therefore, the proposed approach can be used to indicate appropriate buses for applying load shifting. Then, Load Shifting program has been applied on the buses of IEEE-RTS and Khorasan 400 kV network and the appropriate buses is determined to apply DSM programs before applying these programs. The simulation results on these networks show the efficiency of the proposed approach. Moreover, the proposed approach could be used to evaluate complex network with more buses for application of DSM programs.

Appendix

The nomenclature is as follows.

$EENS$	Expected Energy Not Supplied
DSM	Demand Side Management
LS	Load Shifting
LDC	Load Duration Curve
P	The preferred peak demand of the system
$L(t)$	Load curve at t
$\hat{L}(t)$	Modified load curve at t
P	First time during the day when the original load is greater than P
Q	Last time during the day when the original load is greater than P
t_1	The starting time for off-peak recovery
t_2	The ending time for off-peak recovery
H	The difference between t_1 and t_2
P_n^{i*}	The maximum amount of load that can be supplied at i^{th} configuration of the network
P_n^i	The amount of load that can be supplied at i^{th} configuration of the network

$IEAR$	The Interrupted Energy Assessment Rate
P_{MD}	The maximum power demand which is expected to supply by the network
ENS	Energy Not Supplied
I	The total number of the states in Monte Carlo Simulation
N	The total number of buses
$EENS_n$	Expected Energy Not Supplied of bus n
$EENS_{G,n}$	Expected Energy Not Supplied of bus n caused by generation system contingencies
$EENS_{T,n}$	Expected Energy Not Supplied of bus n caused by transmission system contingencies
$EENS_{n,i}$	Expected Energy Not Supplied of each state at bus n
Pr_i	The probability of state i
$ENS_{n,i}$	Energy Not Supplied of each state at bus n

References

- [1] A. S. Malik, "Modelling and Economic Analysis of DSM Programs in Generation Planning", *Electric Power and Energy Systems*, Vol. 23, No. 1, pp. 413-419, 2001.
- [2] M. Zhou, G. Li and P. Zhang, "Impact of Demand Side Management on Composite Generation and Transmission System Reliability", *Power System Conference and Exposition*, 2006.
- [3] F. Boshell and O. P. Veloza, "Review of developed demand side management programs including different concepts and their results", *Proc. IEEE/PES Transmission and Distribution Conf. Expo.*, Latin America, 2008.
- [4] C. W. Gellings, "The Concepts of Demand-side Management for Electric Utilities," *Proceedings of the IEEE*, Vol. 73, No. 10, pp. 1468-1470, 1985.
- [5] T. S. Yau, R. G. Huff and H. L. Willis, "Demand-side Management Impact on the Transmission and Distribution System", *IEEE Trans. on Power Systems*, Vol. 5, No. 2, pp. 506-512, 1990.
- [6] D. Huang, R. Billinton and W. Wangdee, "Effects of Demand Side Management on Bulk System Adequacy Evaluation", in *Proc. IEEE 11th Int. Probabilistic Methods Applied to Power Systems (PMAPS) Conf*, 2010.
- [7] R. B. D. Huang, "Effects of Load Sector Demand Side Management Applications in Generating Capacity Adequacy Assessment", *IEEE Trans. On Power Syst.*, Vol. 27, No.1, pp. 335-342, 2012.
- [8] A. Gomes, A. Soares and C. H. Antunes, "Impact of Demand Side Management and Micro-Generation Units on Low Voltage Distribution Radial Networks", *International Conference Electrical Power Quality and Utilisation(EPQU)*, 2011.
- [9] D. Huang and R. Billinton, "Impact of Demand Side Management on Bulk System Reliability Evaluation Considering Load Forecast Uncertainty", *IEEE Electrical Power and Energy Conference*, 2011.
- [10] R. Billinton and D. Lakhanpal, "Impacts of Demand-Side Management on Reliability Cost/Reliability Worth Analysis", *Proc. Inst. Elect. Eng., Gen., Transm., Distrib.*, Vol. 143, No. 3, pp. 225-231, 1996.
- [11] A. Predenzi and A. Silvestri, "Simulation of DSM Actions Impact Prediction on Residential Daily Load Shape", *UPEC*, 2011.
- [12] N. Zhang, L. F. Ochoa and D. S. Kirschen, "Investigating the Impact of Demand Side Management on Residential Customers", *Proceedings of IEEE/PES Innovative Smart Grid Technologies ISGT Europe*, 2011.
- [13] B. Q. Khanh, "Analysis of DSM's Impacts on Electric Energy Loss in Distribution System Using VPI Model", *Power and Energy Society General Meeting*, 2011.
- [14] B. Q. Khanh, "Analysis of DSM's impacts on electric energy loss in distribution system using VPI model", *Power and Energy IEEE Society General Meeting*, 2011.
- [15] R. Billinton and R. N. Allan, *Reliability Evaluation of Power Systems*, Plenum Press, 1996.
- [16] J. Choi, A. Rahim, A. El-Keib, R. Thomas and R. Billinton, "A Method for Transmission System Expansion Planning Considering Probabilistic Reliability Criteria", *IEEE Trans. On Power Systems*, Vol. 20, No. 3, pp. 1606-1615, 2005.
- [17] C. P. Wong, P. Albrecht, R. Allan, M. Bhavaraju, R. Billinton, Q. Chen, C. Fong, S. Haddad, S. Kuruganty, W. Li, R. Mukerji, D. Patton, N. Rau, D. Reppen, A. Schneider, M. Shahidehpour and C. Singh, "The IEEE Reliability Test System-1996. A report prepared by the Reliability Test System Task Force of the Application of Probability Methods Subcommittee", *IEEE Trans. on Power Systems*, Vol. 14, No. 3, pp. 1010-1020, Aug 1999.



side management programs.

Behrooz Adineh, was born in Quchan, Iran, in 1987. He received the B.Sc. degree from Shahrood University of Technology, Shahrood, Iran, in 2008 and the M.Sc. degree from Ferdowsi University of Mashhad, Mashhad, Iran, in 2012, both in electrical engineering. His areas of interest include power system reliability evaluation and demand



Aachen University of Technology, Germany, in 2002. He is as Professor of electrical engineering at Ferdowsi University of Mashhad and is with the Center of Excellence on Soft Computing and Intelligent Information Processing, Ferdowsi University of Mashhad, Mashhad, Iran. His research interests are power system operation and planning, power system economics, and biological computation.

Habib Rajabi Mashhadi was born in Mashhad, Iran, in 1967. He received the B.Sc. and M.Sc. degrees with honor from the Ferdowsi University of Mashhad, both in electrical engineering, and the Ph.D. degree from the Department of Electrical and Computer Engineering of Tehran University, Tehran, Iran, under joint cooperation of



Mashhad, Mashhad, Iran in 2013. He is as assistant Professor of electrical engineering at Hakim Sabzevari University, Sabsevar, Iran. His areas of interest include power system economics and power system reliability evaluation.

Mohammad Ebrahim Hajiabadi was born in Neyshabour, Iran, in 1983. He received the B.Sc. degree from University of Sistan & Baluchestan, Zahedan, Iran, in 2005 and M.Sc. degree from Sharif University of Technology, Tehran, Iran, in 2008, both in electrical engineering. Currently, he is pursuing the Ph.D. degree in electrical engineering at Ferdowsi University of