

# A Novel MRAS Based Estimator for Speed-Sensorless Induction Motor Drive

S. M. Mousavi Gazafroodi<sup>\*(C.A)</sup> and A. Dashti\*

**Abstract:** In this paper, a novel stator current based Model Reference Adaptive System (MRAS) estimator for speed estimation in the speed-sensorless vector controlled induction motor drives is presented. In the proposed MRAS estimator, measured stator current of the induction motor is considered as a reference model. The estimated stator current is produced in an adjustable model to compare with the measured stator current, where rotor flux identification is needed for stator current estimation. In the available stator current based MRAS estimator, rotor flux is estimated by the use of measured stator current, where the adjustable model and reference model depend on each other since measured stator current is employed in both of them. To improve the performance of the MRAS speed estimator, both the stator current and rotor flux are estimated in the adjustable model by using the state space equations of the induction motor, adjusted with the rotor speed calculated by an adaptation mechanism. The stability of the proposed MRAS estimator is studied through a small signal analysis. Sensorless induction motor drive along with the proposed MRAS speed estimator is verified through computer simulations. In addition, performance of the proposed MRAS is compared with the available stator current based MRAS speed estimator.

**Keywords:** Induction Motor, Model Reference Adaptive System, Rotor Flux Identification, Speed Estimation.

## 1 Introduction

The induction motors are the most popular AC motors used in various industrial applications such as wind energy conversion system, loads in power system, and electric vehicles due to their reliable construction. To achieve the high performance of induction motor drive, vector control is used [1, 2]. Accurate speed identification is required for all high performance vectors controlled induction motor drives. The speed identification of induction motor can be performed by a shaft speed encoder; however, compared to speed estimation, shaft speed encoder has several disadvantages such as an increase in cost, size, complexity, and maintenance requirements and a decrease in the reliability and robustness [3-5].

The main issue of the sensorless induction motor drive is speed identification. Several techniques are proposed in the literature to estimate the speed in a sensorless induction motor drive. They are broadly classified as: signal injection based methods and

fundamental model based methods [3, 6]. The fundamental model based methods are more common because of their simplicity and less associated problems with the signal injection based methods like torque ripple and additional losses [5, 7]. The measured stator voltages and currents are used to estimate the speed of induction motor in the fundamental model based methods, which can be classified as open loop speed calculators [3], Adaptive Flux Observers [8, 9], Kalman Filters [10-12], Sliding Mode Observers [13, 14], Model Reference Adaptive Systems (MRAS) [15-21] and Artificial Intelligence Techniques [22, 23].

Among these techniques, the MRAS estimators are the most conventional method because of their simple structure and less computation requirement compared with the other methods. The basic structure of the MRAS consists of a reference model, an adjustable model and an adaption mechanism as shown in Fig. 1. The adaptation mechanism uses the error between the reference model and adjustable model to generate the estimated speed used in the adjustable model. There are several methods for speed estimation of the induction motor based on MRAS.

---

Iranian Journal of Electrical & Electronic Engineering, 2014.

Paper first received 24 Feb. 2014 and in revised form 20 June 2014.

\* The Authors are with the Department of Railway Engineering, Iran University of Science and Technology (IUST), Tehran, Iran.

E-mails: sm\_mousavi@iust.ac.ir and alidashti1984@yahoo.com.

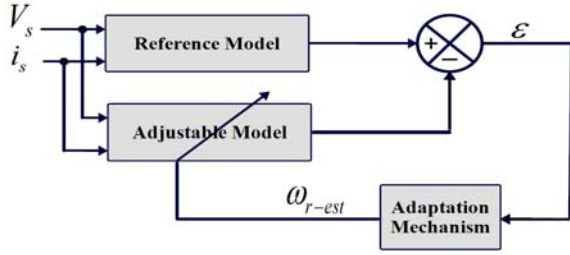


Fig. 1 General structure of MRAS.

The rotor flux based MRAS speed estimator, developed by Schauder in [15], is the most popular scheme among MRAS speed observers due to its simplicity. However, this method is sensitive to the stator resistance variations. In addition, the existence of pure integrator in the reference model leads to problems with initial condition, drift, and offset. To overcome the problem of pure integration, the pure integrator can be replaced with a low pass filter; however, the accuracy of speed estimation at low speeds is decreased and a time delay is produced [16, 17]. Another solution for pure integration problem is employing the rotor back Electromotive Force (EMF) based MRAS speed estimator, which improves low speed operation, but signal to noise ratio is reduced considerably due to the existence of a derivative operator in the reference model. In addition, this method is also sensitive to the variations in the stator resistance [3, 18]. The air gap reactive power based MRAS speed estimator is independent of stator resistance variations in which the outer product of stator current and back-EMF represents the air gap reactive power. However, similar to EMF based MRAS speed estimator, the derivative operator is used in the reference model [18]. In the recent MRAS speed estimators, measured stator current is considered as the reference model. As a result, in the adjustable model, stator current is estimated to compare with measured stator current. The adaptation mechanism developed so far can be divided into two groups. In one approach known as stator current based MRAS [19, 20], rotor flux vector is multiple to error signal (error between measured stator current and estimated value). In another approach, which belongs in reactive power based MRAS category [18, 21], stator voltage vector is multiple to error signal. In these estimators, the rotor flux identification is necessary. The rotor flux can be estimated by the use of measured stator currents (dependent method) or by the use of state space equations of induction motor, which is independent of the measured stator current (independent method).

In this paper, first, a novel stator current based MRAS estimator which uses the independent method is proposed. Then, stability of the proposed MRAS is discussed. Finally, performance of the independent method and dependent method in the stator current based MRAS and instantaneous reactive power based MRAS is compared.

## 2 Methods of Rotor Flux Identification

There are two methods for rotor flux identification, which is necessary for estimation of stator current. In the first method, the measured stator current is used in Eq. (1) to estimate the rotor flux. Subsequently, the stator current can be estimated by Eq. (2). Therefore, estimation of rotor flux and stator current directly depends on the measured stator current. Hence, the first method is called “dependent method” in this paper.

$$\frac{d}{dt} \begin{bmatrix} \Psi_{ra-est(dep)} \\ \Psi_{rb-est(dep)} \end{bmatrix} = \mathbf{A}_1 \begin{bmatrix} i_{sa-mes} \\ i_{sb-mes} \\ \Psi_{ra-est(dep)} \\ \Psi_{rb-est(dep)} \end{bmatrix} \quad (1)$$

$$\frac{d}{dt} \begin{bmatrix} i_{sa-est} \\ i_{sb-est} \end{bmatrix} = \mathbf{A}_2 \begin{bmatrix} i_{sa-est} \\ i_{sb-est} \\ \Psi_{ra-est(dep)} \\ \Psi_{rb-est(dep)} \end{bmatrix} + \frac{1}{\sigma L_s} \begin{bmatrix} V_{sa-mes} \\ V_{sb-mes} \end{bmatrix} \quad (2)$$

In Eqs. (1) and (2),  $i_s$ ,  $V_s$ , and  $\Psi_r$  are stator current, stator voltage, and rotor flux, respectively. The “dep”, “mes”, and “est” are abbreviation of “dependent”, “measured”, and “estimated”, respectively. Also, d and q component in stationary reference frame are defined with  $\alpha$  and  $\beta$ , respectively. In addition, matrices  $\mathbf{A}_1$  and  $\mathbf{A}_2$  are defined by following equations:

$$\mathbf{A}_1 = \begin{bmatrix} a_4 & 0 & -a_5 & -\omega_{r-est} \\ 0 & a_4 & \omega_{r-est} & -a_5 \end{bmatrix} \quad (3)$$

$$\mathbf{A}_2 = \begin{bmatrix} -a_1 & 0 & a_2 & a_3 \omega_{r-est} \\ 0 & -a_1 & -a_3 \omega_{r-est} & a_2 \end{bmatrix} \quad (4)$$

where  $\omega_r$  is rotor speed and:

$$\sigma = 1 - \frac{L_m^2}{L_r L_s} \quad (5)$$

$$a_1 = \frac{1}{\sigma L_s} \left( R_s + \frac{L_m^2}{L_r \tau_r} \right) \quad (6)$$

$$a_2 = \frac{1}{\sigma L_s} \left( \frac{L_m}{L_r \tau_r} \right) \quad (7)$$

$$a_3 = \frac{1}{\sigma L_s} \left( \frac{L_m}{L_r} \right) \quad (8)$$

$$a_4 = \frac{L_m}{\tau_r} \quad (9)$$

$$a_5 = \frac{1}{\tau_r} \quad (10)$$

In the second method, called “independent method”, the stator current and rotor flux are estimated by Eq. (11). The estimated stator current is then used to estimate the rotor flux instead of using measured stator current. It should be noted that Eqs. (11) and (12) express the state space equations of induction motor in

stationary reference frame. The “indep” is the abbreviation of “independent”.

$$\frac{d}{dt} \begin{bmatrix} i_{s\alpha\text{-est}} \\ i_{s\beta\text{-est}} \\ \Psi_{r\alpha\text{-est(indep)}} \\ \Psi_{r\beta\text{-est(indep)}} \end{bmatrix} = \mathbf{A} \begin{bmatrix} i_{s\alpha\text{-est}} \\ i_{s\beta\text{-est}} \\ \Psi_{r\alpha\text{-est(indep)}} \\ \Psi_{r\beta\text{-est(indep)}} \end{bmatrix} + \frac{1}{\sigma L_s} \begin{bmatrix} V_{s\alpha} \\ V_{s\beta} \\ 0 \\ 0 \end{bmatrix} \quad (11)$$

$$\begin{bmatrix} i_{s\alpha\text{-est}} \\ i_{s\beta\text{-est}} \end{bmatrix} = \begin{bmatrix} 0 & 0 & 1 & 0 \\ 0 & 0 & 0 & 1 \end{bmatrix} \begin{bmatrix} i_{s\alpha\text{-est}} \\ i_{s\beta\text{-est}} \\ \Psi_{r\alpha\text{-est(indep)}} \\ \Psi_{r\beta\text{-est(indep)}} \end{bmatrix} \quad (12)$$

In the Eq. (11), matrix  $\mathbf{A}$  is defined as

$$\mathbf{A} = \begin{bmatrix} -a_1 & 0 & a_2 & a_3\omega_{r\text{-est}} \\ 0 & -a_1 & -a_3\omega_{r\text{-est}} & a_2 \\ a_4 & 0 & -a_5 & -\omega_{r\text{-est}} \\ 0 & a_4 & \omega_{r\text{-est}} & -a_5 \end{bmatrix} \quad (13)$$

### 3 Mathematical Model of Proposed Speed Estimator

The structure of the conventional stator current based MRAS is shown in Fig. 2. In the conventional stator current based MRAS, the measured stator current of the induction motor in the stationary reference frame is considered as the reference model. The stator current and rotor flux are then estimated in the adjustable model. Using the adaptation mechanism, the error between the measured stator current and estimated stator current is multiplied to the estimated rotor flux vector to make the error signal defined by Eq. (14). Then, through a PI controller, the error signal is converted to estimated speed expressed with Eq. (15).

$$\varepsilon = (i_{s\alpha} - i_{s\alpha\text{-est}}) \Psi_{r\beta\text{-est}} + (i_{s\beta} - i_{s\beta\text{-est}}) \Psi_{r\alpha\text{-est}} \quad (14)$$

$$\omega_{r\text{-est}} = \left( K_{P\text{-MRAS}} + \frac{K_{I\text{-MRAS}}}{s} \right) \varepsilon \quad (15)$$

The structure of the proposed MRAS is similar to the conventional stator current based MRAS, as shown in Fig. 3. The only difference between the proposed MRAS and conventional stator current based MRAS is in their adjustable model. In the conventional stator current based MRAS, rotor flux are first estimated by using measured stator currents (Eq. (1)), then stator current is estimated by Eq. (2). On the other hand, in the proposed MRAS both stator current and rotor flux are estimated in the adjustable model by Eq. (11) (state space equation of induction motor), which is independent of measured stator current. The sensorless indirect field oriented control with the proposed speed estimator is shown in Fig. 4.

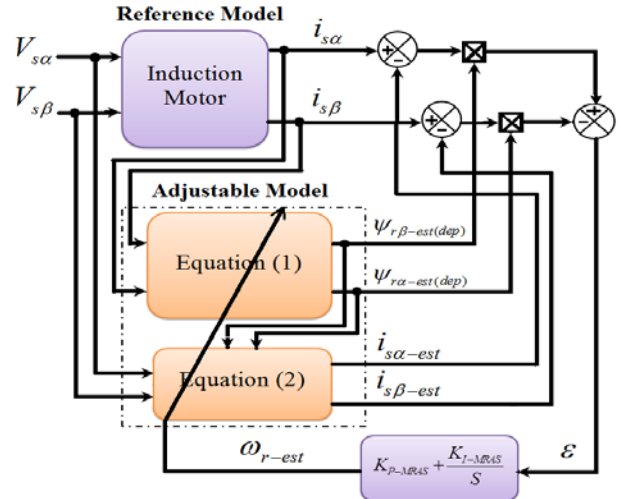


Fig. 2 Structure of the conventional stator current based MRAS.

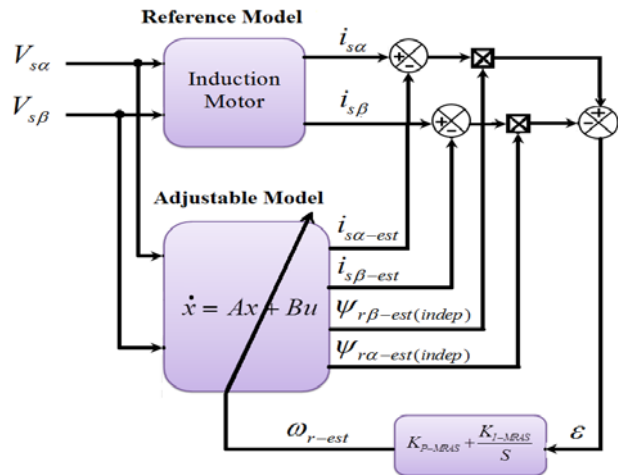


Fig. 3 Structure of the proposed MRAS.

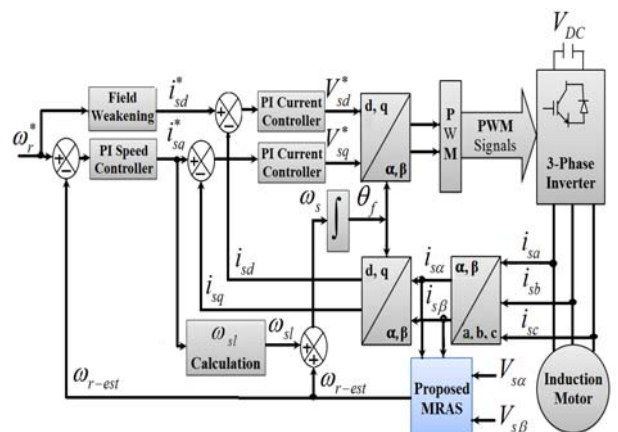


Fig. 4 Sensorless indirect field oriented control with proposed speed estimator.

#### 4 Stability Analysis of the Proposed Method

The state space equation of induction motor in synchronous rotating ( $\omega_e$ ) reference frame is expressed with Eq. (16).

$$\dot{\mathbf{x}} = \mathbf{A}\mathbf{x} + \mathbf{B}\mathbf{u}$$

$$\mathbf{y} = \mathbf{C}\mathbf{x} \quad (16)$$

where

$$\mathbf{x} = \begin{bmatrix} i_{sd} & i_{sq} & \psi_{sd} & \psi_{sq} \end{bmatrix}^T \quad (17)$$

$$\mathbf{u} = \begin{bmatrix} V_{sd} & V_{sq} \end{bmatrix}^T \quad (18)$$

$$\mathbf{y} = \begin{bmatrix} i_{sd} & i_{sq} \end{bmatrix}^T \quad (19)$$

$$\mathbf{C} = \begin{bmatrix} 1 & 0 & 0 & 0 \\ 0 & 1 & 0 & 0 \end{bmatrix} \quad (20)$$

$$\mathbf{B} = \frac{1}{\sigma L_s} \mathbf{C}^T \quad (21)$$

The matrix  $\mathbf{A}$  is:

$$\mathbf{A} = \begin{bmatrix} -a_1 & \omega_e & a_2 & a_3\omega_r \\ -\omega_e & -a_1 & -a_3\omega_r & a_2 \\ a_4 & 0 & -a_5 & (\omega_e - \omega_r) \\ 0 & a_4 & -(\omega_e - \omega_r) & -a_5 \end{bmatrix} \quad (22)$$

The state space equations are changed to Eq. (23) by using the small signal analysis:

$$\Delta \dot{\mathbf{x}} = \mathbf{A} \Delta \mathbf{x} + \Delta \mathbf{A} \mathbf{x}_0 \quad (23)$$

$$\Delta \mathbf{y} = \mathbf{C} \Delta \mathbf{x} = \mathbf{C} (\mathbf{sI} - \mathbf{A})^{-1} \Delta \mathbf{A} \mathbf{x}_0$$

where  $\mathbf{x}_0$  (the operation point) and  $\Delta \mathbf{A}$  are represented with following equations:

$$\mathbf{x}_0 = \begin{bmatrix} i_{sd0} & i_{sq0} & \psi_{sd0} & \psi_{sq0} \end{bmatrix}^T \quad (24)$$

$$\Delta \mathbf{A} = \begin{bmatrix} 0 & 0 & 0 & a_3 \\ 0 & 0 & -a_3 & 0 \\ 0 & 0 & 0 & -1 \\ 0 & 0 & 1 & 0 \end{bmatrix} \Delta \omega_r \quad (25)$$

From Eq. (23),  $\Delta \mathbf{y}$  can be expressed as:

$$\Delta \mathbf{y} = \mathbf{C} (\mathbf{sI} - \mathbf{A})^{-1} \Delta \mathbf{A} \mathbf{x}_0 \quad (26)$$

By using Eq. (26),  $\left(\frac{\Delta i_{sd}}{\Delta \omega_r}\right)$  and  $\left(\frac{\Delta i_{sq}}{\Delta \omega_r}\right)$  can be

expressed as:

$$\frac{\Delta i_{sd}}{\Delta \omega_r} = \frac{(c_{14} - a_3 c_{12}) \psi_{rdo}}{|\mathbf{sI} - \mathbf{A}|} \quad (27)$$

$$\frac{\Delta i_{sq}}{\Delta \omega_r} = \frac{(c_{24} - a_3 c_{22}) \psi_{rdo}}{|\mathbf{sI} - \mathbf{A}|} \quad (28)$$

where

$$(\mathbf{sI} - \mathbf{A})^{-1} = \frac{\text{adj}(\mathbf{sI} - \mathbf{A})}{|\mathbf{sI} - \mathbf{A}|} \quad (29)$$

and

$$\text{adj}(\mathbf{sI} - \mathbf{A}) = \begin{bmatrix} c_{11} & c_{12} & c_{13} & c_{14} \\ c_{21} & c_{22} & c_{23} & c_{24} \\ c_{31} & c_{32} & c_{33} & c_{34} \\ c_{41} & c_{42} & c_{43} & c_{44} \end{bmatrix} \quad (30)$$

The error equation is:

$$\varepsilon = \psi_{sq0} \Delta i_{sd} - \psi_{sdo} \Delta i_{sq} \quad (31)$$

where

$$\Delta i_{sd} = i_{sd} - i_{sd\text{-est}} \quad (32)$$

$$\Delta i_{sq} = i_{sq} - i_{sq\text{-est}}$$

The closed loop block diagram of the MRAS is shown in Fig. 5. The transfer function  $G$  can be expressed as:

$$G = \frac{\varepsilon}{\Delta \omega_r} = \psi_{rdo} \frac{\Delta i_{sd}}{\Delta \omega_r} - \psi_{rdo} \frac{\Delta i_{sq}}{\Delta \omega_r} \quad (33)$$

The closed loop transfer function of the MRAS can be expressed as:

$$\frac{\omega_r}{\omega_{r\text{-est}}} = \frac{G(s) \left( K_{P\text{-MRAS}} + \frac{K_{I\text{-MRAS}}}{s} \right)}{1 + G(s) \left( K_{P\text{-MRAS}} + \frac{K_{I\text{-MRAS}}}{s} \right)} \quad (34)$$

If all the poles of the closed loop transfer function lie in the left half of the  $s$ -plane, the system will be stable in the operating point. It is worth mentioning that the closed loop transfer function of every operating point is different from the other operating points because matrix 'A' is changed by altering the speed. According to this method, the stability loss was not observed in the motoring region. The root locus of proposed MRAS at 20 rad/sec and 10 Nm (load torque) is shown in Fig. 6.

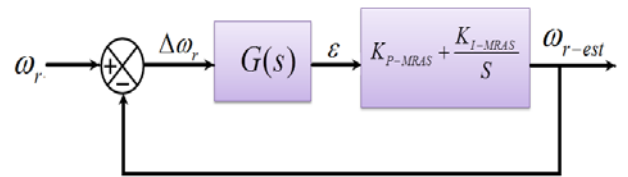


Fig. 5 Closed loop block diagram of the MRAS.

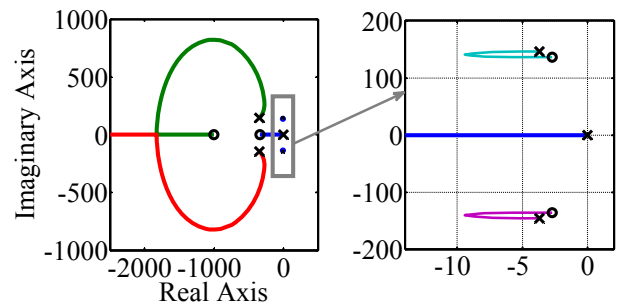


Fig. 6 Root locus plot of proposed MRAS at 20 rad/sec and  $T_L=10$  Nm.

**Table 1** Induction motor parameters.

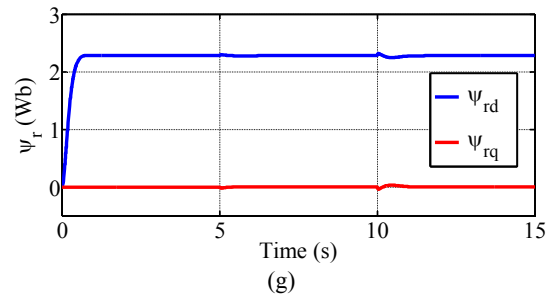
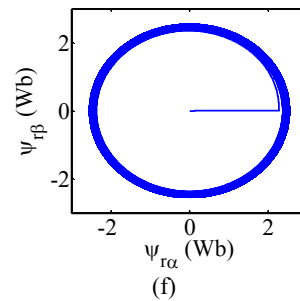
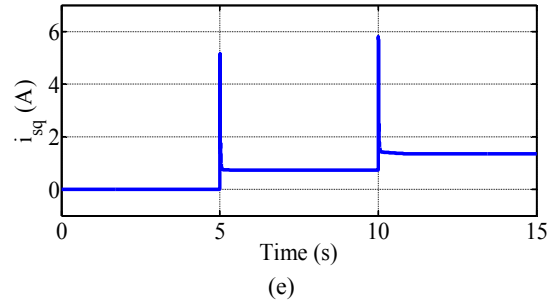
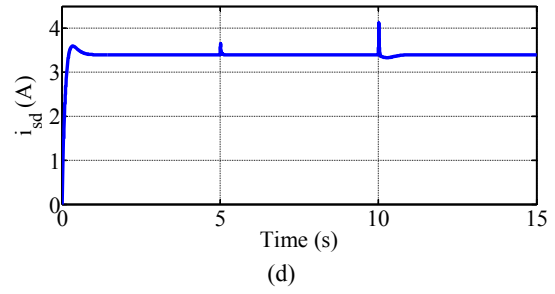
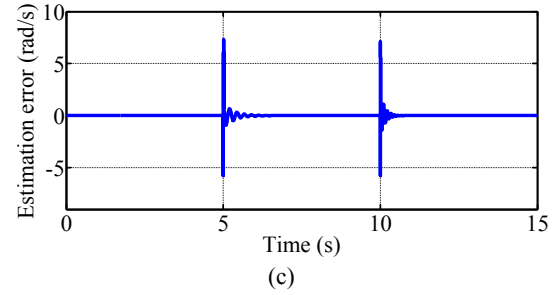
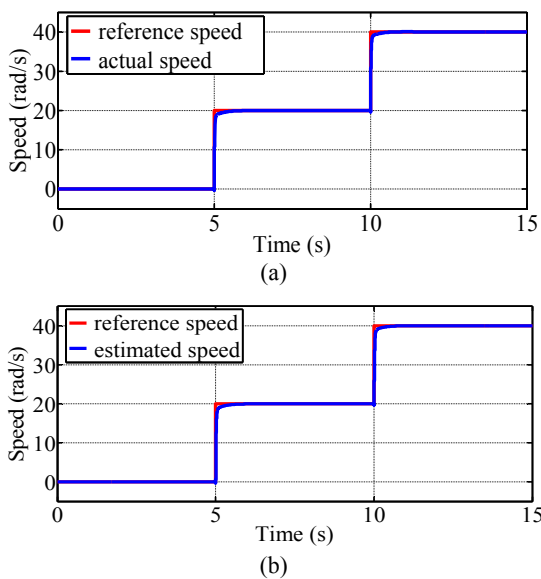
Rated shaft power	1.3 kW
Line-to-line voltage	400 V
Pole pair	2
Rated speed	1430 rpm
Magnetizing inductance	670.5 mH
Stator and rotor Leakage inductance	14.3 mH
Stator resistance	5.71 $\Omega$
Rotor resistance	4.08 $\Omega$
Motor inertia	0.087 kg.m <sup>2</sup>

## 5 Simulation of Proposed MRAS

The proposed MRAS speed estimator is simulated in MATLAB/Simulink and some of the simulation results are presented in this section. The parameters of the induction motor used in the simulation are presented in Table 1.

### 5.1 Step Increase in Reference Speed

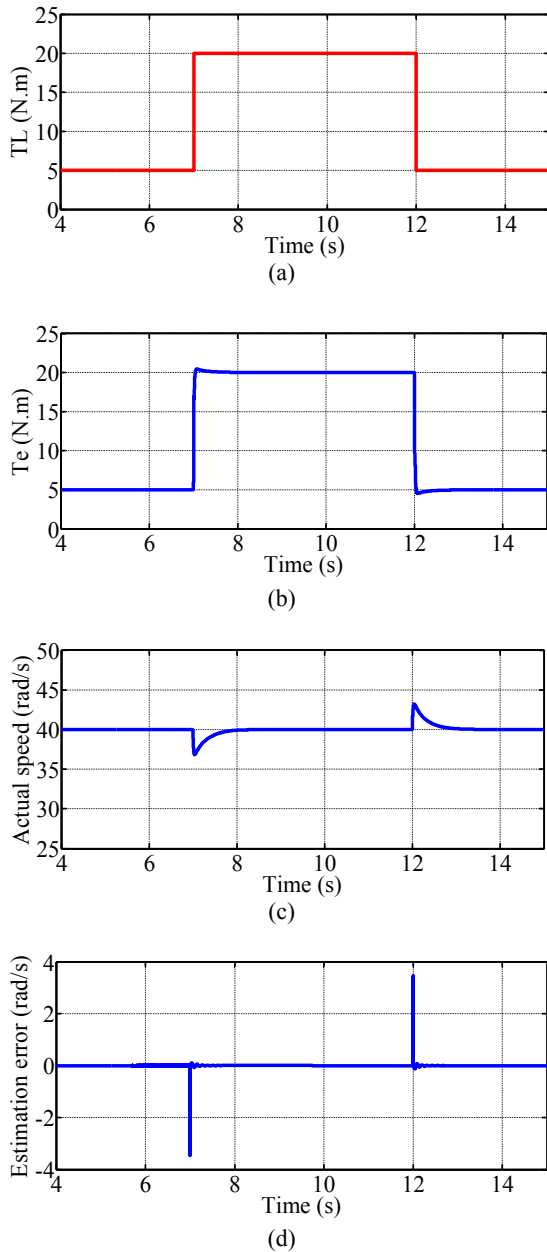
Performance of the proposed MRAS for a step change in reference speed is illustrated in Fig. 7. Step changes of 20 rad/sec are applied at 5 and 10 s, respectively. Note that the load torque is considered proportional to the rotor speed since the load is applied to the IM through a DC generator. The actual and estimated speed are plotted in Figs. 7(a) and (b), respectively. It can be found that estimated speed is very close to the actual speed, according to the speed estimation error, which is shown in Fig. 7(c). The components of stator current are depicted in Figs. 7(d) and (e). This indicates that decoupling between flux and torque producing components of stator current is performed correctly since  $i_{sd}$  is not affected significantly by a change in  $i_{sq}$ . It can be seen that the magnitude of rotor flux is kept constant (Fig. 7(f)) and flux orientation is well maintained (Fig. 7(g)).



**Fig. 7** step response: (a) actual and reference speed, (b) estimated and reference speed, (c) speed estimation error, (d) d-axis stator current, (e) q-axis stator current, (f) Rotor flux hodograph, and (g) d and q-axis rotor flux.

## 5.2 Load Torque Variation

The loading and unloading performance of the sensorless drive is observed in Fig. 8. The induction motor is operated at 40 rad/sec. The applied load torque is suddenly increased from 5 to 20 N m at 5 s and returned to 5 N m at 12 s, as illustrated in Fig. 8(a). The profile of the produced electromagnetic torque is shown in Fig. 8(b). The overshoot and undershoot appear in actual speed during loading and unloading, respectively (Fig. 8(c)). Fig. 8(d) shows that the estimation is performed with good accuracy.



**Fig. 8** Effect of loading: (a) applied load torque, (b) electromagnetic torque, (c) actual speed, (d) speed estimation error.

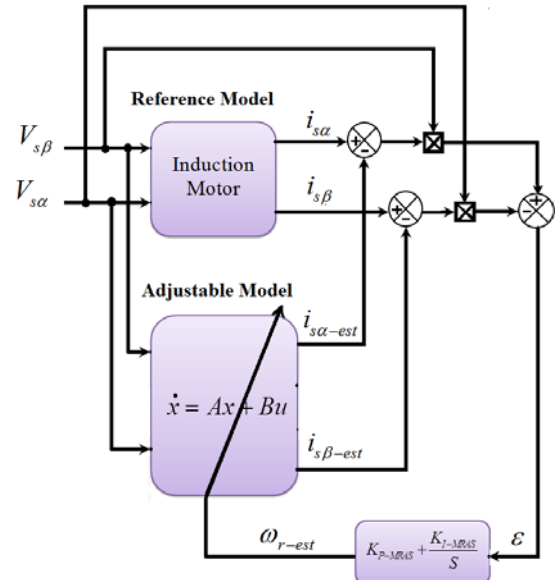
## 6 Instantaneous Reactive Power Based MRAS

The structure of the instantaneous reactive power based MRAS is shown in Figs. 9. The equivalent presentation of this estimator is shown in Fig. 10. The speed estimator is introduced in [18]. In this estimator, Eqs. (35) and (36) are used in the reference model and adjustable model, respectively.

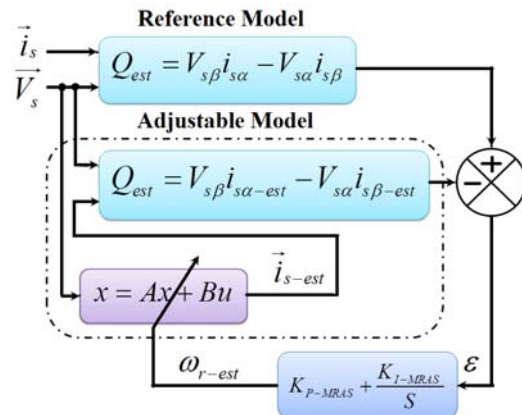
$$Q = V_{s\beta} i_{s\alpha} - V_{s\alpha} i_{s\beta} \quad (35)$$

$$Q_{est} = V_{s\beta} i_{s\alpha-est} - V_{s\alpha} i_{s\beta-est} \quad (36)$$

The estimation of stator current is needed to construct the Eq. (36). The independent method (Eq. 11) is employed to estimate both Stator current and rotor flux. Note that estimated current is used in the adjustable model, whereas measured current is employed in the reference model. The difference between the reference model and adjustable model makes the error signal (Eq. (37)). Through a PI



**Fig. 9** Structure of instantaneous reactive power based MRAS estimator.



**Fig. 10** Equivalent presentation of instantaneous reactive power based MRAS estimator.

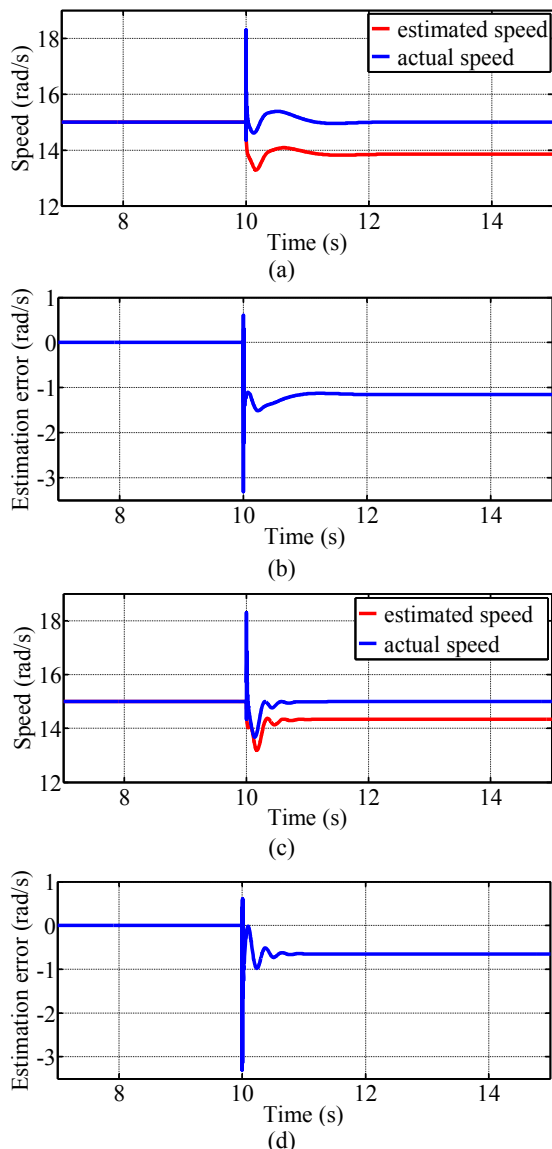
controller, the error signal is converted to estimated speed expressed with Eq. (38).

$$\varepsilon = \left( K_{P-MRAS} + \frac{K_{I-MRAS}}{s} \right) [Q - Q_{est}] \quad (37)$$

$$\omega_{r-est} = \left( K_{P-MRAS} + \frac{K_{I-MRAS}}{s} \right) \varepsilon \quad (38)$$

## 7 Rotor Flux Identification Methods Comparing

In this section, performance of the dependent method and independent method in the stator current based MRAS and instantaneous reactive power based MRAS estimator is compared by employing MATLAB/Simulink. The comparison is performed



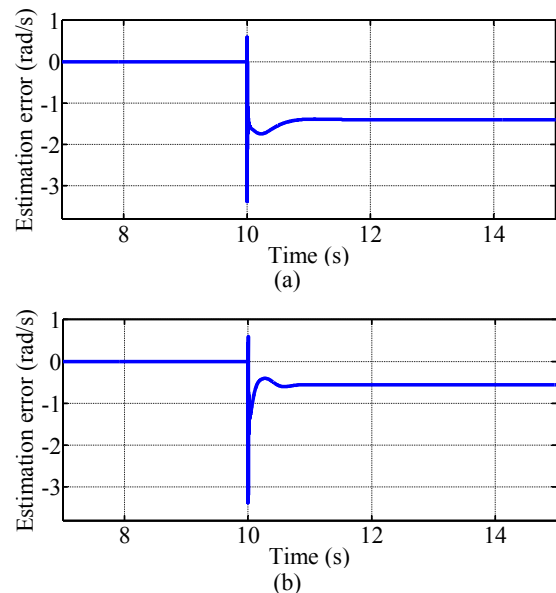
**Fig. 11** Response at 15 rad/sec: (a) actual and estimated speed of conventional MRAS, (b) error of conventional MRAS, (c) actual and estimated speed of proposed MRAS and (d) error of the proposed MRAS.

under the maximum variation of the rotor resistance and stator resistance. During the induction motor operation, the stator and rotor resistance can increase up to 50% and 100% of the startup value, respectively [2].

### 7.1 Stator Current Based MRAS

The performance of the stator current based MRAS estimators, which uses the dependent method (conventional stator current based MRAS) and independent method (proposed stator current based MRAS) is compared in this section. The test is performed for two different reference speeds and the nominal load torque is applied to the induction motor. At 10 sec, the stator and rotor resistance are suddenly increased by 50% and 100% of the startup value, respectively. The responses of estimators, when reference speed is 10% of the nominal speed, are shown in Fig. 11. Performance of conventional MRAS is shown in Fig. 11(a) where the steady state error is about 8% of reference speed (Fig. 11(b)). The response of proposed MRAS is illustrated in Fig. 11(c). It is observed that the error in speed estimation is about 5% of the reference speed at steady state (Fig. 11(d)).

Speed estimation errors of estimators when reference speed is 5% of the nominal speed is about 20% (Fig. 12(a)) and 7% (Fig. 12(b)) of reference speed in the conventional MRAS and proposed MRAS, respectively. These results indicate using independent method for rotor flux identification in the stator current based MRAS (proposed MRAS) significantly improves performance of the conventional stator current based MRAS estimator, especially at low speeds.



**Fig. 12** Response at 7.5 rad/sec: (a) error of the conventional MRAS and (b) error of the proposed MRAS.

### 7.2 Instantaneous Reactive Power Based MRAS

In this section, similar to the previous simulation, test is performed under the nominal load torque. Performance of the instantaneous reactive power based MRAS estimator, which uses dependent method, (Fig. 13) and independent method are respectively shown in Figs. 14(a) and (b), when the reference speed is 10% of the nominal speed. It is observed that the error in speed estimation is about 6% of the reference speed when the dependent method is used (Fig. 14(c)) and about 3% of the reference speed when the independent method is employed (Fig. 14(d)). At a reference speed equal to 5% of the nominal speed, the error in the speed estimation by the dependent method is about 9% of the reference speed (Fig. 15(a)) that can be reduced to about 4% by the use of the independent method (Fig. 15(b)).

These results confirm instantaneous reactive power based MRAS estimates speed with better accuracy when the independent method is employed instead of the dependent method for rotor flux identification.

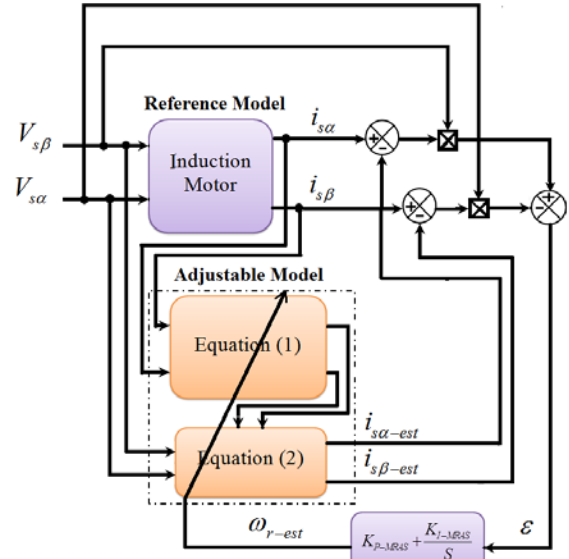


Fig. 13 Structure of instantaneous reactive power based MRAS estimator with the dependent method.

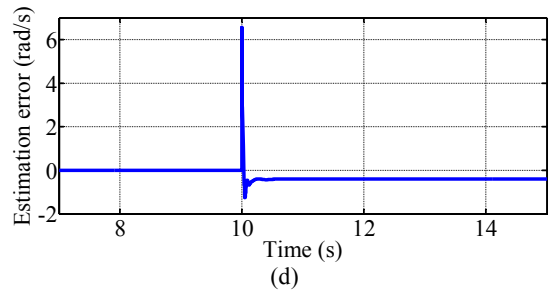
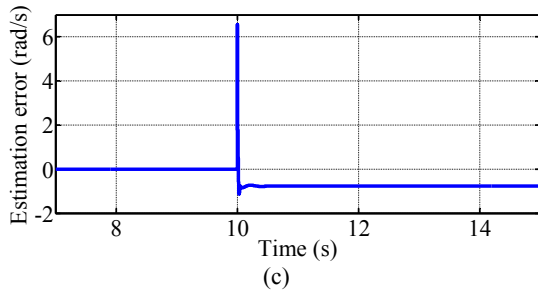
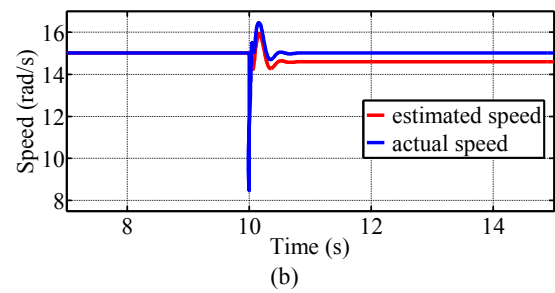
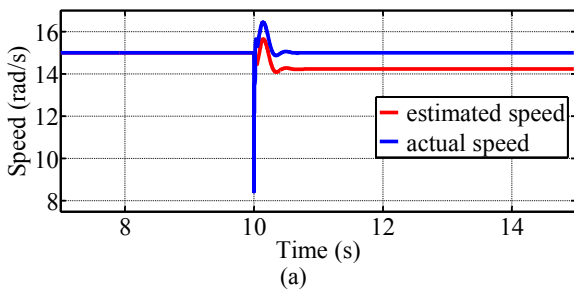


Fig. 14 Response at 15 rad/sec: (a) actual and estimated speed of conventional MRAS, (b) actual and estimated speed of proposed MRAS (c) error of conventional MRAS, and (d) error of proposed MRAS.

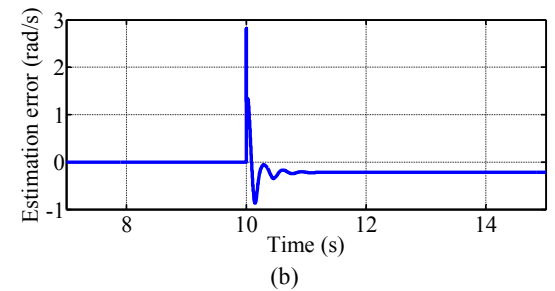
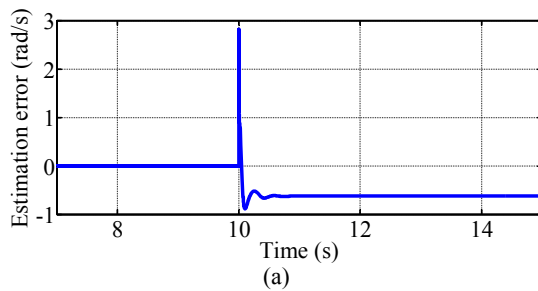


Fig. 15 Response at 7.5 rad/sec: (a) error of conventional MRAS and (b) error of proposed MRAS.



## 8 Conclusion

This paper has presented a novel stator current based MRAS method for speed estimation of an induction motor. The proposed method has been applied to an indirect field oriented sensorless induction motor drive. It has been found that the variations of rotor resistance and especially stator resistance deteriorate the performance of conventional stator current based MRAS method at low speeds. In the proposed MRAS, the independent method is used for estimation of rotor flux, whereas dependent method is employed in the conventional stator current based MRAS method. Tests confirmed that the use of the independent method instead of the dependent method improves the performance of stator current based estimator at low speeds and increases the accuracy of speed estimation. Comparing the dependent and independent method results in a similar trend for the performance of instantaneous reactive power based MRAS estimator. Therefore, it can be concluded that the independent method is superior to the dependent method for estimation of rotor flux and speed estimation in stator current based and instantaneous reactive power based MRAS methods.

## References

- [1] M. M. Rezaei and M. Mirsalim, "Improved direct torque control for induction machine drives based on fuzzy sector theory", *Iranian Journal of Electrical & Electronic Engineering*, Vol. 6, No. 2, pp. 110-118, 2010.
- [2] M. Aghasi, D. A. Khaburi, V. Faraji and H. Behnia, "A comparative study on predictive and ISVM direct torque control methods for a doubly fed induction machine fed by an indirect matrix converter", *Iranian Journal of Electrical & Electronic Engineering*, Vol. 8, No. 2, pp. 138-145, 2012.
- [3] M. S. Zaky, M. Khater, H. Yasin and S. S. Shokralla, "Speed sensorless control of induction motor drives (review paper)", *ACTA Electrothechnica*, Vol. 49, No. 3, pp. 221-228, 2008.
- [4] J. W. Finch and D. Giaouris, "Controlled AC electrical drives", *IEEE Trans. on Industrial Electronic*, Vol. 55, No. 1, pp. 1-11, 2008.
- [5] S. Sedghizadeh, C. Lucas and H. Ghafoori Fard, "Sensorless speed control of switched reluctance motor drive using the binary observer with online flux-linkage estimation", *Iranian Journal of Electrical & Electronic Engineering*, Vol. 5, No. 2, pp. 143-150, 2009.
- [6] A. E. Leon and J. A. Solsona, "On state estimation in electric drive", *Energy Conversion and Management*, Vol. 51, No. 3, pp. 600-605, Mar. 2010.
- [7] J. Holtz, "Sensorless control of induction machines with or without signal injection", *IEEE Transactions on Industrial Electronic*, Vol. 53, No. 1, pp. 7-30, Feb. 2006.
- [8] Z. Zhang, R. Tang, B. Bai and D. Xie, "Novel direct torque based on space vector modulation with adaptive stator flux observer for induction motors", *IEEE Transactions on Magnetics*, Vol. 46, No. 8, pp. 757-766, 2010.
- [9] M. Jouili, K. Jarray, Y. Koubaa and M. Boussak, "Luenberger state observer for speed sensorless ISFOC induction motor drives", *Electric Power System Research*, Vol. 89, No. 5, pp. 139-147, Aug. 2012.
- [10] Z. Yin, C. Zhang, J. Liu and Y. Zhong, "Research on anti-error performance of speed and flux estimator for induction motor using robust reduced order EKF", *IEEE Transaction on Industrial Information*, Vol. 9, No. 2, pp. 1037-1046, 2013.
- [11] M. Barut, S. Bogosyan and M. Gokasan, "Speed sensorless estimation for induction motors using Extended Kalman Filters", *IEEE Transactions on Industrial Electronic*, Vol. 54, No. 1, pp. 272-280, Feb. 2007.
- [12] F. Bagheri, H. Khaloozadeh and K. Abbaszadeh, "Stator fault detection in induction machines by parameter estimation using adaptive kalman filter", *Iranian Journal of Electrical & Electronic Engineering*, Vol. 3, No. 3, pp. 72-82, 2007.
- [13] R. P. Vieira, C. C. Gastaldini, R. Z. Azzolin and H. A. Grundling, "Discrete time sliding mode speed observer for sensorless induction motor drives", *IEEE Electric Power Applications. IET*, Vol. 6, No. 9, pp. 681-688, 2012.
- [14] O. Barambones, P. Alkorta and J. M. G. De-Durrana, "Sliding mode position control for real-time control of induction motors", *International Journal of Innovative Computing, Information and Control*, Vol. 9, No. 7, pp. 38-45, Jul. 2013.
- [15] C. Schauder, "Adaptive speed identification for vector control of induction motors without rotational transducers", *IEEE Transactions on Industrial Application*, Vol. 28, No. 5, pp. 1054-1061, 1980.
- [16] B. Karanayil, M. F. Rahman and C. Grantham, "An implementation of a programmable cascaded low-pass filter for a rotor flux synthesizer for an induction motor drive", *IEEE Transactions on Power Electronics*, Vol. 19, No. 3, pp. 257-263, 2004.
- [17] E. D. Mitronikas and A. N. Safacas, "An improved sensorless vector control method for an induction motor drive", *IEEE Transactions on Industrial Electronic*, Vol. 52, No. 6, pp. 1660-1668 Dec. 2005.
- [18] S. Maiti and C. Chakraborty, "A new instantaneous reactive power based MRAS for sensorless induction motor drive", *Simulation*

*Modeling Practice and Theory*, Vol. 18, No. 3, pp. 1314-1326, 2010.

- [19] C. W. Park and W. H. Kwon, "Simple and robust speed sensorless vector control of induction motor using stator current based MRAC", *Electric Power Systems Research*, Vol. 71, No. 3, pp. 257-266, Nov. 2004.
- [20] T. Orłowska-Kowalska and M. Dybkowski, "Stator current based MRAS estimator for a wide range speed-sensorless induction-motor drive", *IEEE Transactions on Industrial Electronic*, Vol. 57, No. 4, pp. 1296-1308, April, 2010.
- [21] A. V. Ravi Teja, C. Chakraborty, S. Maiti and Y. Hori, "A new model reference adaptive controller for four quadrant vector controlled induction motor drives", *IEEE Transactions on Industrial Electronic*, Vol. 59, No. 10, pp. 3757-3767, Oct., 2012.
- [22] S. M. Gadoue, D. Giaouris and J. W. Finch, "Sensorless control of induction motor drives at very low and zero speeds using neural network flux observers", *IEEE Transactions on Industrial Electronic*, Vol. 56, No. 8, pp. 3029-3039, Aug. 2009.
- [23] S. Maiti, V. Verma, C. Chakraborty and Y. Hori, "An adaptive speed sensorless induction motor drive with artificial neural network for stability enhancement," *IEEE Transactions on Industrial Informatics*, Vol. 8, No. 4, pp. 757-766, 2012.



**Sayed Mohammad Mousavi Gazafroodi** was born in 1976 in Iran. He received Ph.D. in electrical engineering from Iran University of Science and Technology. His research interest is renewable energy systems, power quality in power systems, power electronics and drives, control systems and dynamics.



**Ali Dashti** was born in 1984 in Iran. He received B.Sc. in control engineering from Ferdowsi University of Mashhad and M.Sc. in electric railway engineering from Iran University of Science and Technology. His research interest is power electronics and drives, renewable energy systems and control systems.